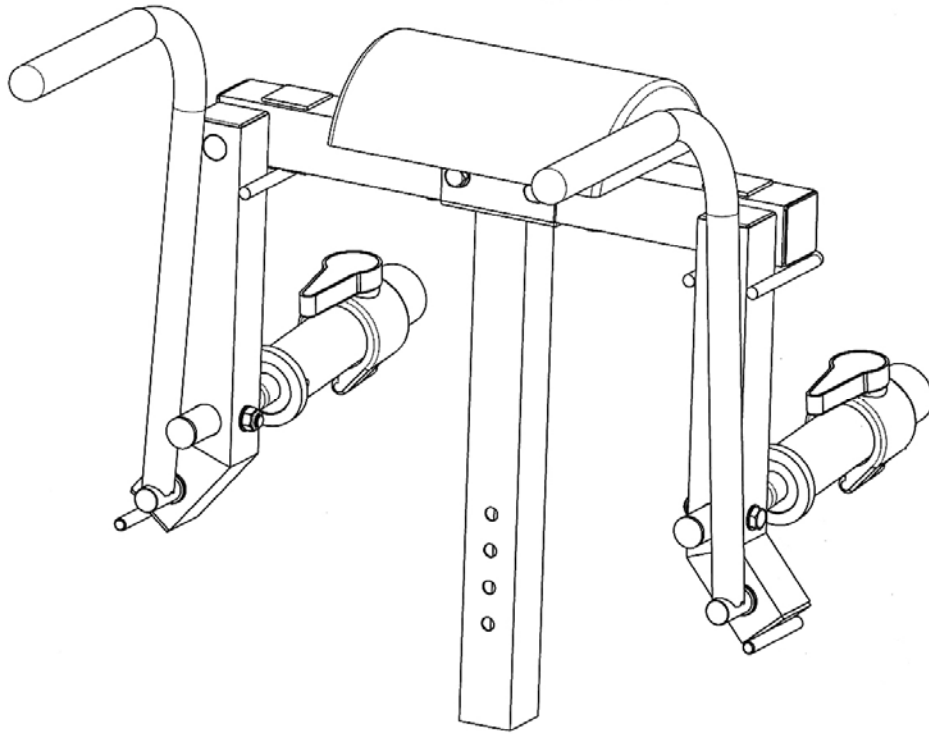


# MP EX

F I T N E S S P R O D U C T S

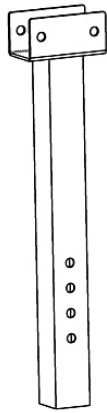
## MARCY PRO BUTTERFLY PM-50



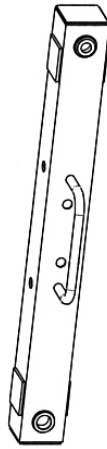
**IMPORTANT:** Please read the Important Assembly Information in the Owner's manual before assembling this equipment.

**Assembly Manual**

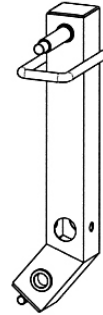
120619



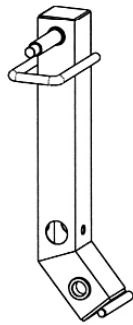
① × 1



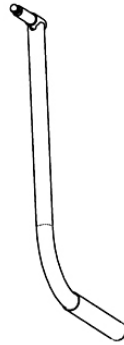
② × 1



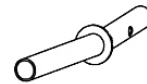
③ × 1



④ × 1



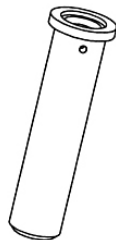
⑤ × 2



⑥ × 2



⑦ × 1

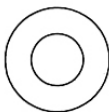



⑪ × 2



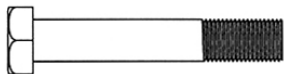
⑫ × 2

②② × 10 

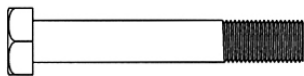
②① × 4 

②⑦ × 4 

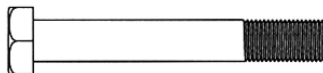
②⑨ × 4 



②⑥ × 2



②⑦ × 2

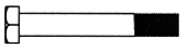




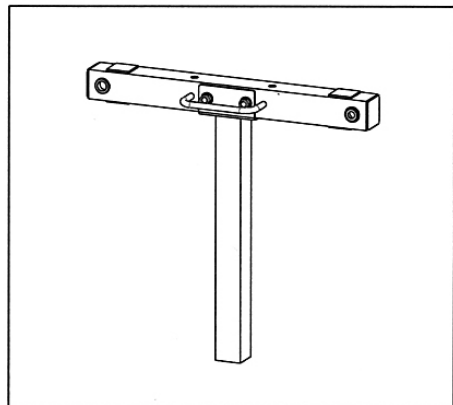
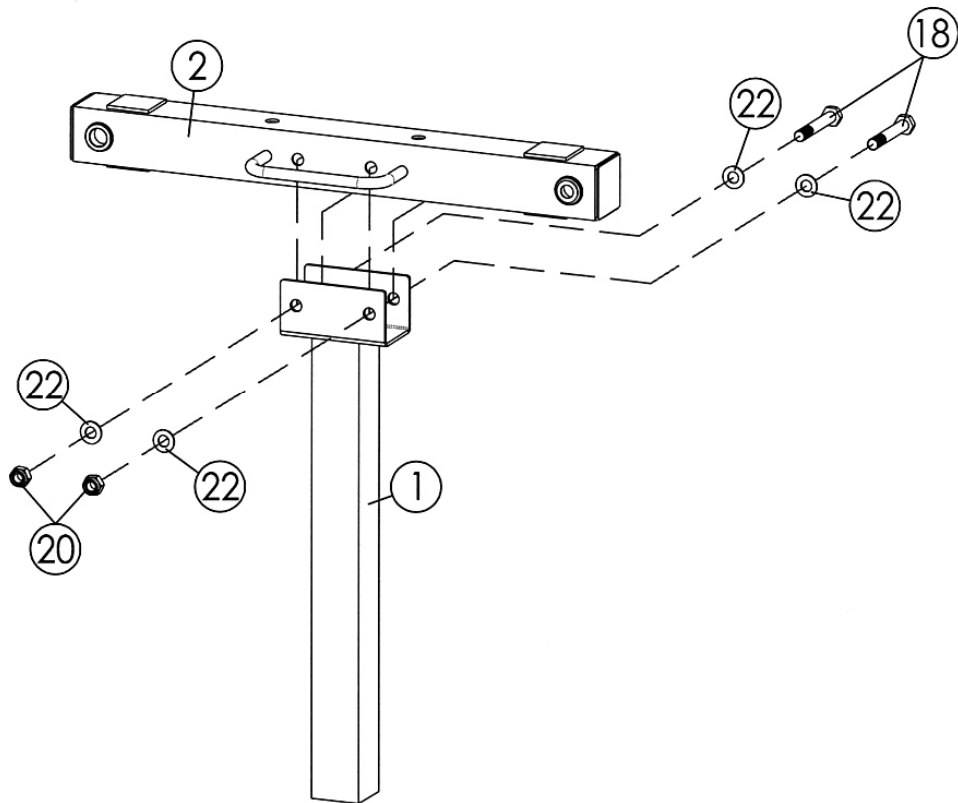
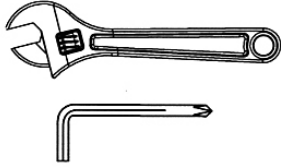
②⑧ × 2



②③ × 1

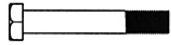


- |          |   |               |
|----------|---|---------------|
| (18) × 2 |  | M10 × 2 3/4 " |
| (22) × 4 |  | Ø 3/4 "       |
| (20) × 2 |  | M10           |



**1**

①7 × 2

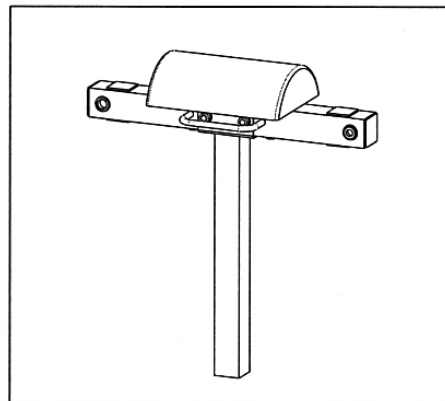
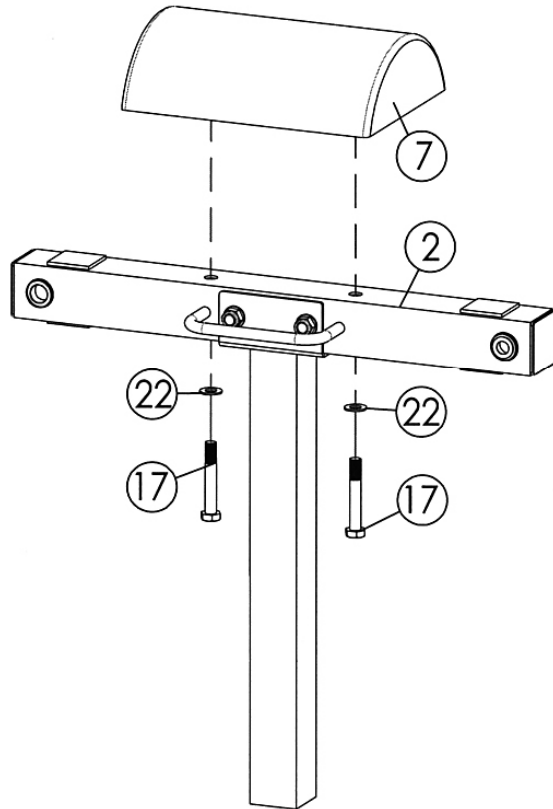
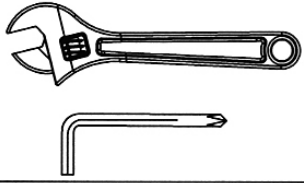


M10×2 1/2"

②2 × 2



Ø 3/4"



**2**

①9 × 2

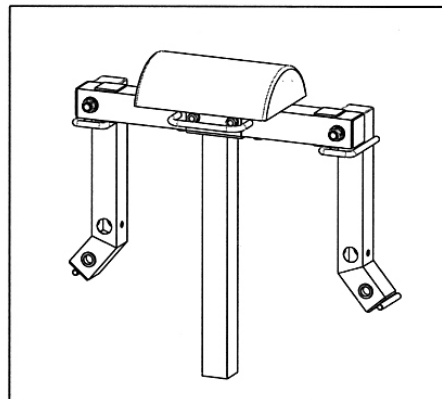
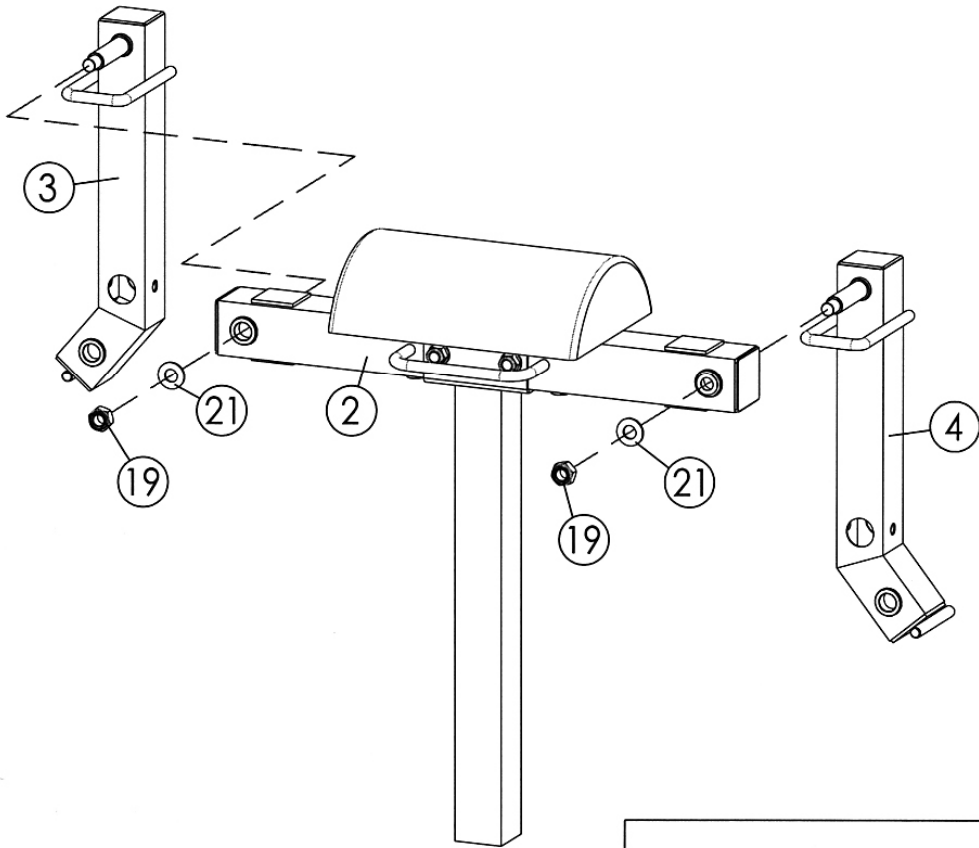
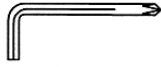


M12

②1 × 2



Ø1"



**3**

(19) × 2

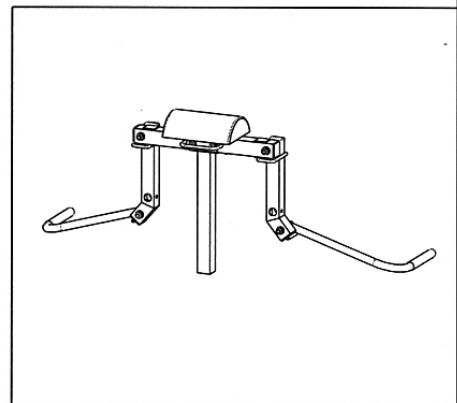
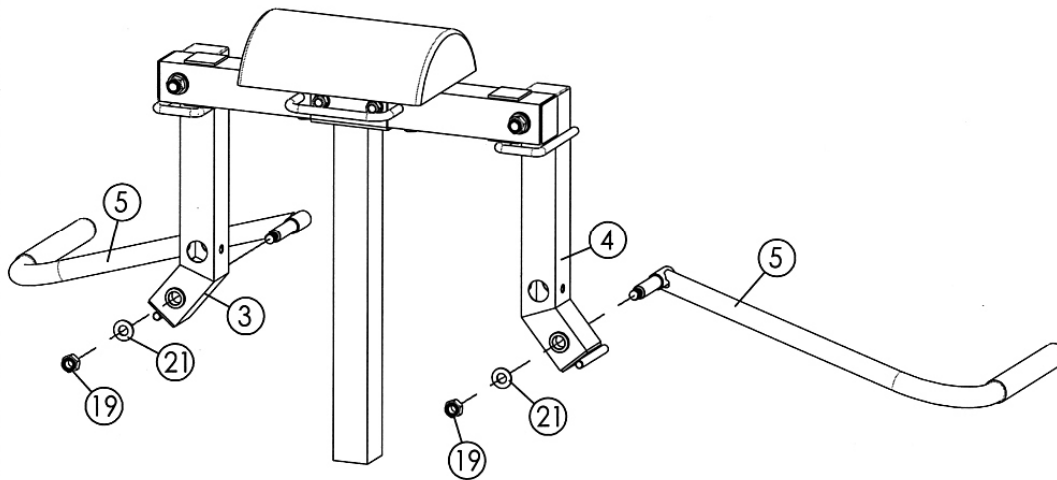
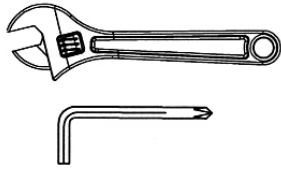


M12

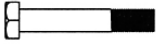


(21) × 2

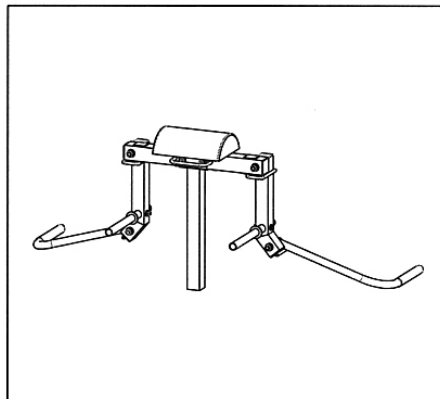
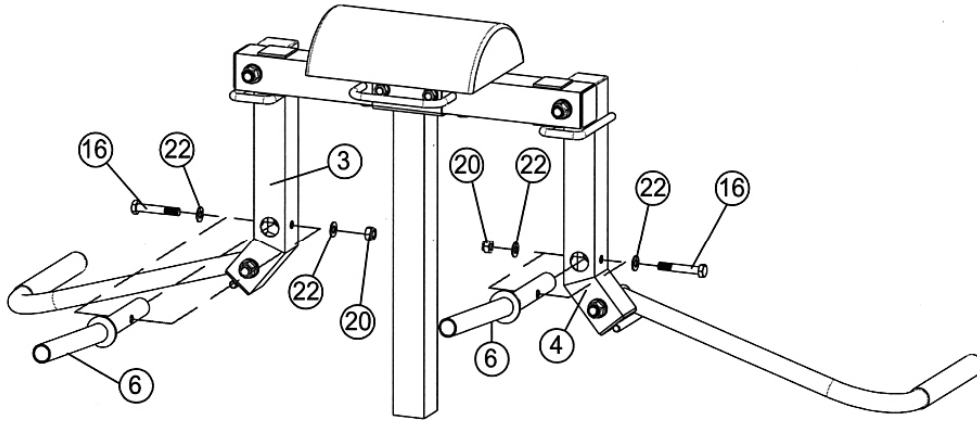
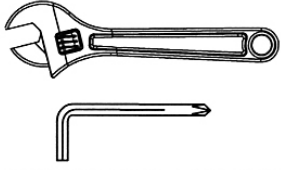


Ø 1 "



4

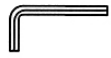
- |    |     |   |            |
|----|-----|---|------------|
| ①6 | × 2 |  | M10×2 3/8" |
| ②2 | × 4 |  | Ø 3/4"     |
| ③0 | × 2 |  | M10        |



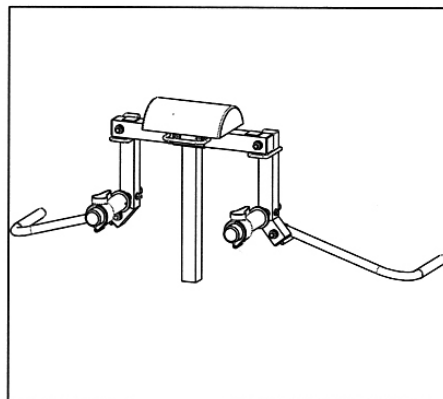
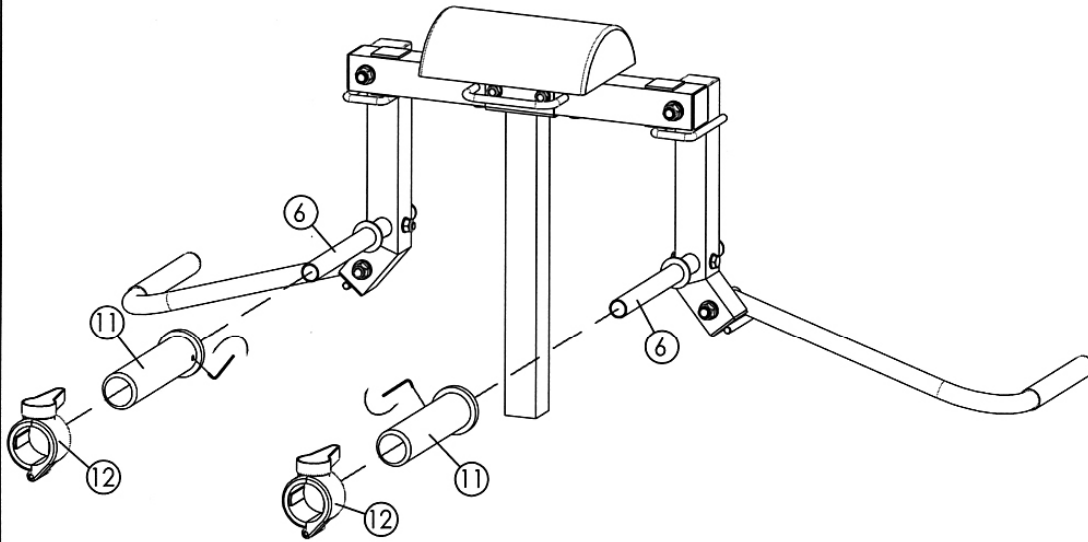
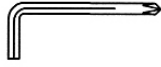
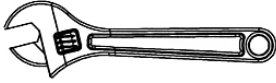
**5**



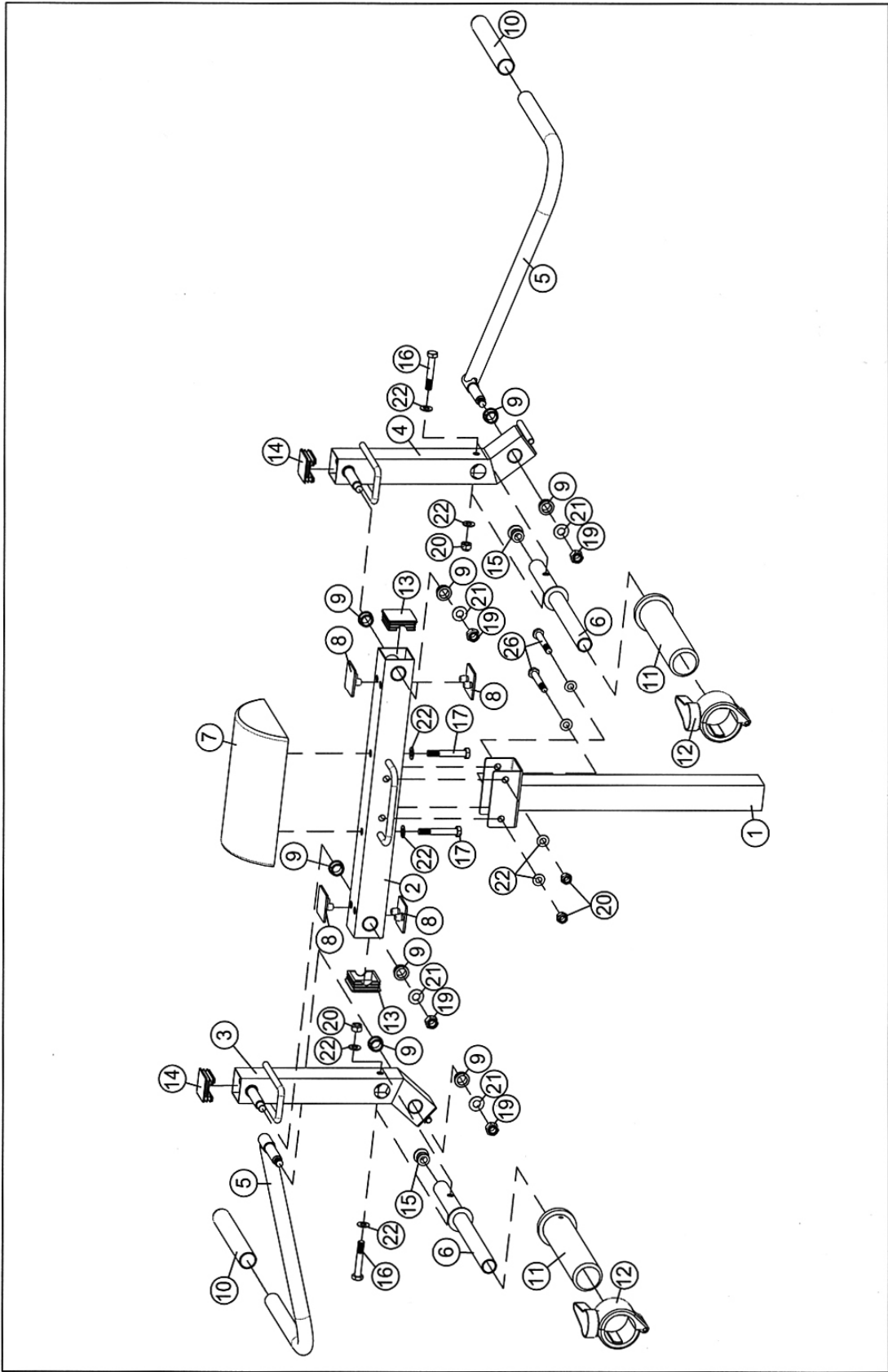
②3 × 1



4#



6



**IMPEX<sup>®</sup> INC.**

2801 S. Towne Ave., Pomona, CA 91766  
Tel: (800) 999-8899 Fax: (626) 961-9966

**[www.impex-fitness.com](http://www.impex-fitness.com)**  
**[info@impex-fitness.com](mailto:info@impex-fitness.com)**